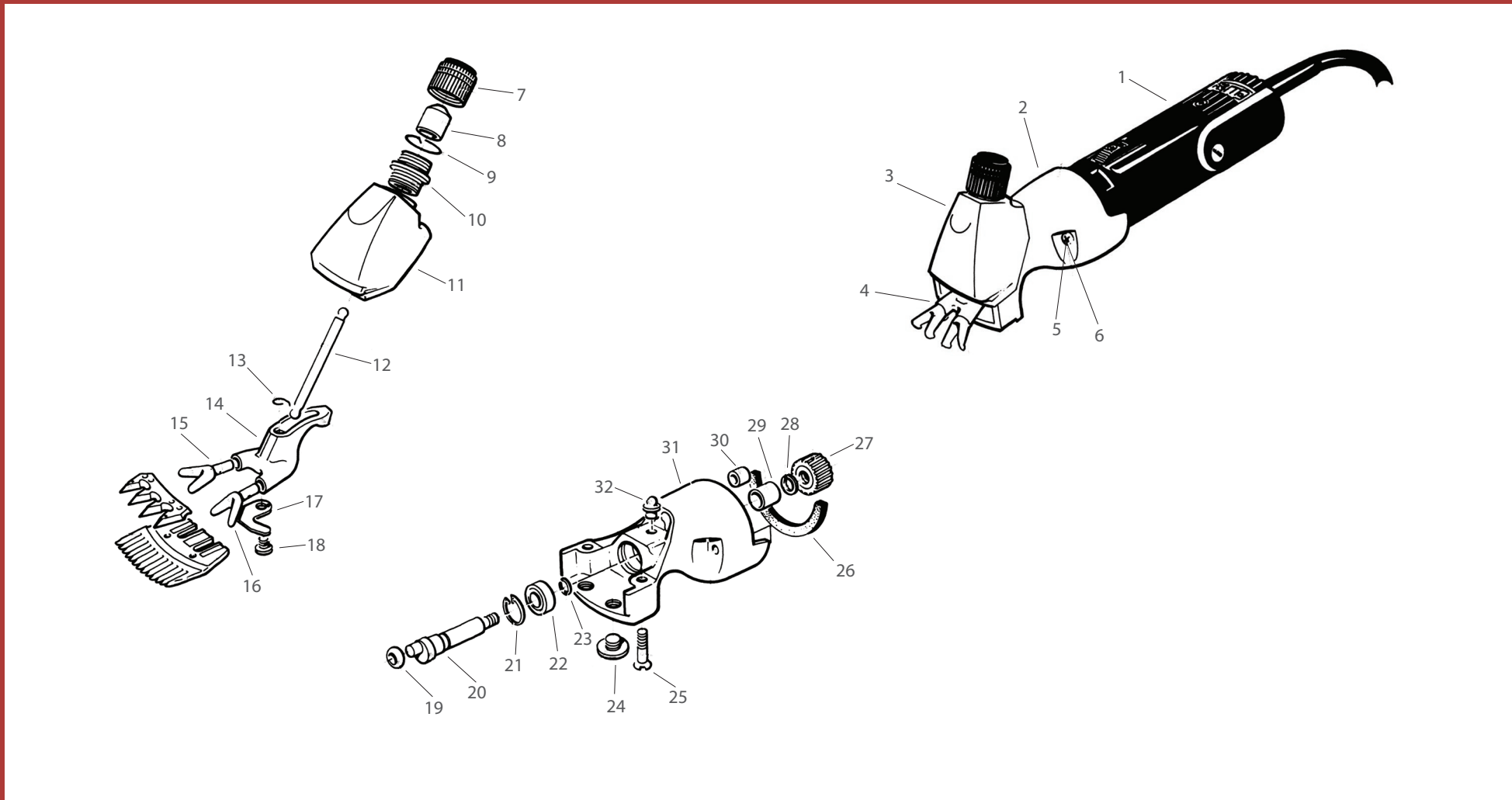


# Laser 2 Shear Head

Item	Part No.	Description
1	258-36500	Body Assembly 240V
	258-36510	Body Assembly 110V <i>(not shown)</i>
2	258-32260	Assembly of Parts 20 - 23 & 26 - 32
3	258-32540	Assembly of Parts 9 - 11
4	258-32450	Assembly of Parts 13 - 18
5	258-30780	Screw M4 x 20mm
6	258-11740	Washer M4
7	249-15100	Tension Nut
8	249-00010	Sliding Sleeve
9	249-00020	Tension Lock Ring
10	249-15030	Lid Bush
11	258-32300	Top Casing
12	258-32310	Tension Pin
13	258-32340	Tension Pin Retainer
14	258-32230	Fork Body
15	249-10200	Prong RH Wide
16	249-10210	Prong LH Wide
17	258-32330	Prong Retainer
18	258-32800	Screw M3 x 5mm
19	157-00151	Crank Roller
20	258-32280	Crank Spindle
21	258-32420	Circlip
22	249-12250	Ball-race
23	258-32430	Circlip

Item	Part No.	Description
24	249-10510	Comb Screw
25	258-32440	Screw M4 x 20mm
26	258-32460	Shear Head Seal
27	258-32220	Gear
28	258-32250	Oil Seal
29	258-32240	Crank Spindle
30	258-32270	Intermediate Gear
31	258-32290	Main Body
32	258-32320	Fulcrum Post

# Laser 2 Shear Head



# Laser 2 Body

Item	Part No.	Description
1	258-32630	Body Casing Bottom
2	258-36560	Body Casing Top
3	258-32100	Adapter Plate Assembly
4	258-32020	Intermediate Gearshaft
5	258-32140	Screw M4 x 12mm
6	258-36520	Armature 240V
	258-36540	Armature 110V <i>(not shown)</i>
7	258-31090	Circlip
8	258-31080	Ball Bearing
9	258-31120	O-Ring
10	258-36530	Motor 240V
	258-36550	Motor 110V <i>(not shown)</i>
11	258-32760	Self Tappeing Screw
12	258-31310	Crew M3 x 10mm
13	258-31300	Filter
14	258-31190	Brush Holder
15	258-31200	Brush
16	258-31210	Spring
17	258-31220	Brush Cup
18	258-32750	Lower End Cover
19	258-32730	Cable Clamp Screw
20	258-32690	Switch
21	258-32720	Rear End Cover
22	258-32740	Cable Support

Item	Part No.	Description
23	258-33070	Mains Lead UK
	258-33970	Mains Lead AUS <i>(not shown)</i>
	258-33910	Mains Lead USA <i>(not shown)</i>
24	258-31140	Washer
25	258-31130	O-Ring
26	258-32660	Ball Bearing
27	258-32680	Rubber Grommet
28	258-36700	Overload Switch 240V
	258-36710	Overload Switch 110V <i>(not shown)</i>
29	258-32710	Switch Lead
30	258-33050	Capacitor
31	258-32670	Switch Lever
32	258-36690	Switch
33	258-31180	Screw M3 x 4mm
34	258-31300	Filter
35	258-31310	Screw M3 x 10mm
36	258-32590	Clipper Head
37	258-32610	Shear Head

# Laser 2 Body

